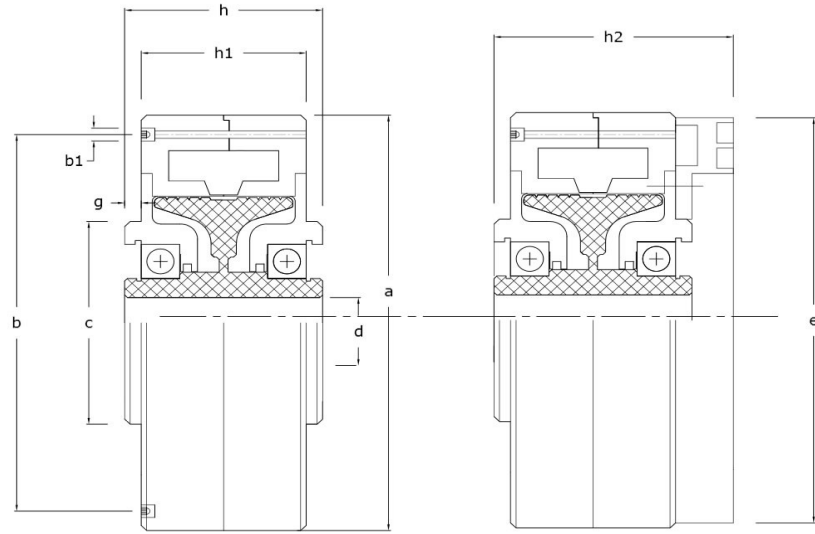


DEĞİŞKEN TORKLU TOZLU FREN VE KAVRAMA

ABT 1.1 SERİSİ

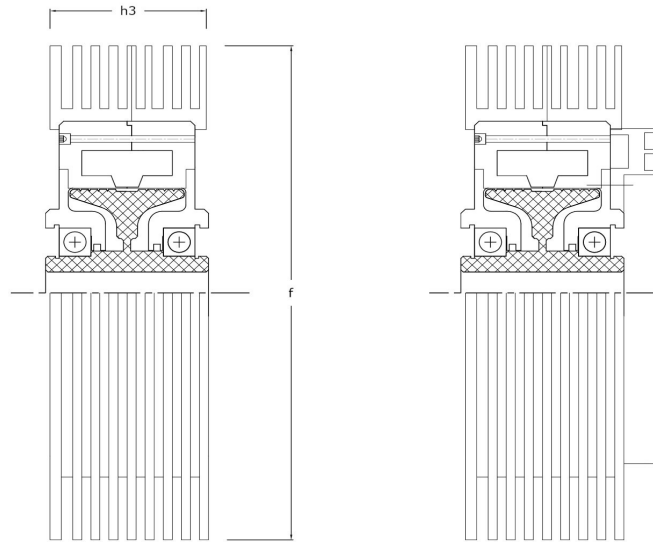


ÖLÇÜLER

ABT-F

ABT-K

ABT 1.2 SERİSİ



ABT-F

ABT-K

Standart Gerilim: 24 V DC

	Std. Tork (Nm)	Elk. Gücü (W)	a	b	c	d	e	f	g	h	h1	h2	h3	b1
ABT-03	35	28	138	122	65	17	108	230	4	56	48	75	54	m5x6
ABT-04	65	28	164	144	80	20	160	270	6	72	60	87	72	m6x6
ABT-05	120	30	256	240	100	28	180	380	6	78	66	93	78	m8x8
ABT-06	200	38	283	263	140	38	216	380	6	84	72	102	82	m8x8
ABT-07	500	42	440	406	190	60	300	530	8	100	84	114	100	m8x8
ABT-08	1000	50	560	525	260	80	360	700	8	120	100	140	110	m8x12

Ölçüler mm'dir